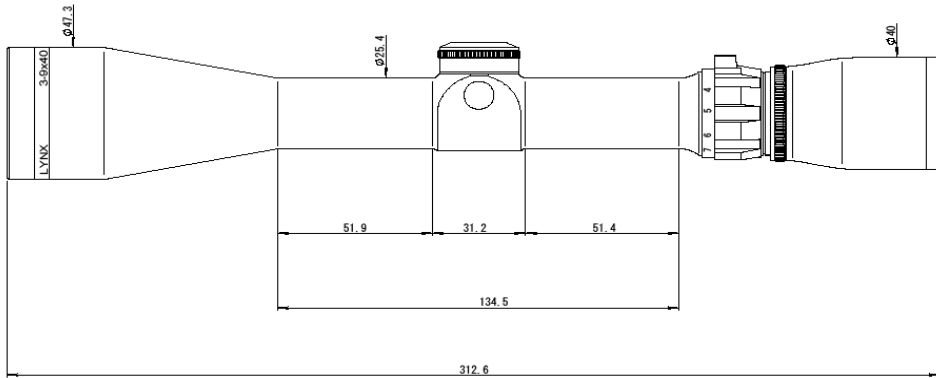


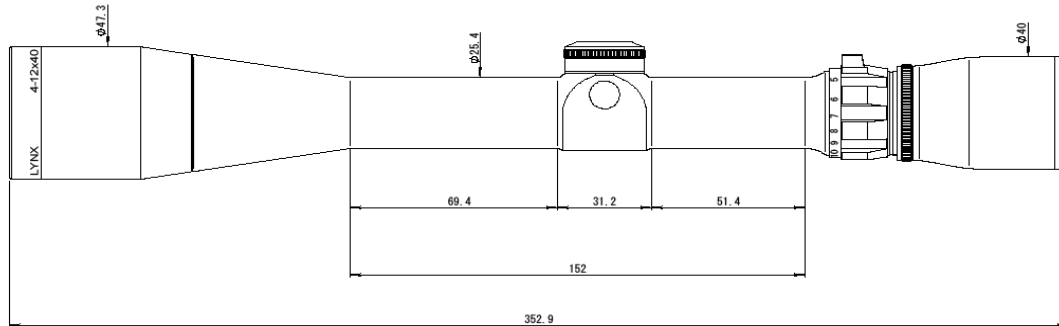
## Specifications: Lynx LX2 3-9x40



H20. 12. 18

	<b>Low Power</b>	<b>High Power</b>
Actual Magnification	3x	9x
Exit pupil diameter	13.3mm	4.4mm
Eye-relief	98mm	100mm
Actual FOV	6.30	2.10
Resolving Power (seconds)	5	5
Objective diameter	40mm	
Dioptre adjustment	-1.5 to 1D	
Total Windage adjustment range	50MOA	
Total Elevation adjustment range	50MOA	
Tube diameter	25.4mm	
Water proof	Positive internal pressure 300kPa. Submersible 1m for 60 minutes.	
Recoil proof	1000G	
Fog proof	Dry nitrogen purged	
Temperature operating range	-20 to +71	
Reticule	Duplex	
Battery type	non	
Parallax	non	
Eyepiece	Lockable slow focus	
Antireflective lens coating	Fully multi coated (Light transmission 99.7%)	
Lens elements		
Total light transmission	92%	
Windage / Elevation control	Finger-adjustable	
Windage click value	0.25MOA	
Elevation click value	0.25MOA	
Length	312.6	
Weight	375	
Country of manufacture	Japan	

## Specifications: Lynx LX2 4-12x40



H20, 12, 17

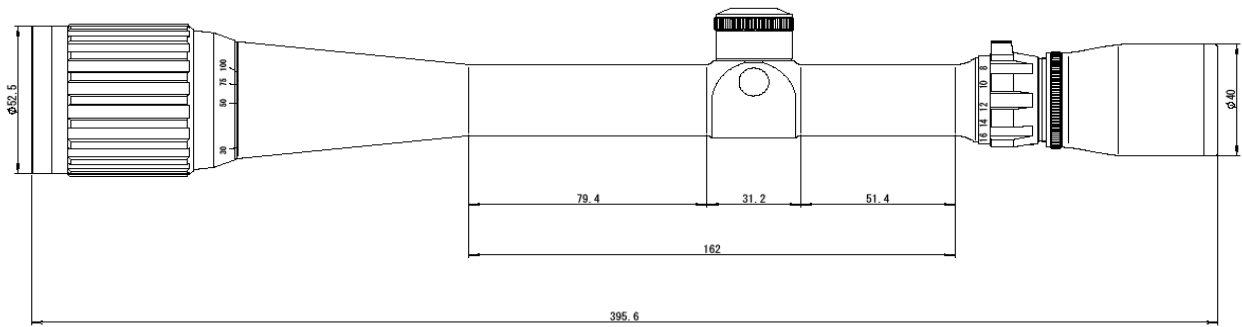
	<i>Low Power</i>	<i>High Power</i>
Actual Magnification	4x	12x
Exit pupil diameter	10mm	3.3mm
Eye-relief	98mm	95mm
Actual FOV	4.80	1.60
Resolving Power (seconds)	5	5
Objective diameter	40mm	
Dioptre adjustment	-1.5 to 1D	
Total Windage adjustment range	40MOA	
Total Elevation adjustment range	40MOA	
Tube diameter	25.4mm	
Water proof	Positive internal pressure 300kPa. Submersible 1m for 60 minutes.	
Recoil proof	1000G	
Fog proof	Dry nitrogen purged	
Temperature operating range	-20 to +71	
Reticle	Duplex	
Battery type	non	
Parallax	non	
Eyepiece	Lockable slow focus	
Antireflective lens coating	Fully multi coated (Light transmission 99.7%)	
Lens elements		
Total light transmission	92%	
Windage / Elevation control	Finger-adjustable	
Windage click value	0.25MOA	
Elevation click value	0.25MOA	
Length	352.9	
Weight	500	
Country of manufacture	Japan	

**Specifications: Lynx LX2 1.5-4.5x24iR**

<NO IMAGE>

	<b>Low Power</b>	<b>High Power</b>
Actual Magnification	1.5x	4.5x
Exit pupil diameter	16mm	5.3mm
Eye-relief	103mm	101mm
Actual FOV	12.47	4.24
Resolving Power (seconds)	8	8
Objective diameter	24mm	
Dioptre adjustment	-1 to 1D	
Total Windage adjustment range	50MOA	
Total Elevation adjustment range	50MOA	
Tube diameter	30mm	
Water proof	Positive internal pressure 300kPa. Submersible 1m for 60 minutes.	
Recoil proof	1000G	
Fog proof	Dry nitrogen purged	
Temperature operating range	-20 to +71	
Reticle	iPlex (duplex reticle with green illuminated centre dot)	
Battery type	non	
Parallax	3 V Lithium #CR2032	
Eyepiece	Lockable slow focus	
Antireflective lens coating	Fully multi coated (Light transmission 99.7%)	
Lens elements		
Total light transmission	94%	
Windage / Elevation control	Finger-adjustable	
Windage click value	0.25MOA	
Elevation click value	0.25MOA	
Length	238	
Weight	450	
Country of manufacture	Japan	

## Specifications: Lynx LX2 6-20x40AO



H20. 12. 18

	<i>Low Power</i>	<i>High Power</i>
Actual Magnification	6x	20x
Exit pupil diameter	6.6mm	2mm
Eye-relief	92mm	90mm
Actual FOV	3.00	0.97
Resolving Power (seconds)	5	5
Objective diameter	40mm	
Dioptre adjustment	-1.5 to 1D	
Total Windage adjustment range	30MOA	
Total Elevation adjustment range	30MOA	
Tube diameter	25.4mm	
Water proof	Positive internal pressure 300kPa. Submersible 1m for 60 minutes.	
Recoil proof	1000G	
Fog proof	Dry nitrogen purged	
Temperature operating range	-20 to +71	
Reticle	Duplex	
Battery type	non	
Parallax	AO 30m to ∞	
Eyepiece	Lockable slow focus	
Antireflective lens coating	Fully multi coated (Light transmission 99.7%)	
Lens elements		
Total light transmission	92%	
Windage / Elevation control	Finger-adjustable	
Windage click value	0.125MOA	
Elevation click value	0.125MOA	
Length	395.6	
Weight	540	
Country of manufacture	Japan	